



Price list n°4
February 2014

SHADING SYSTEMS

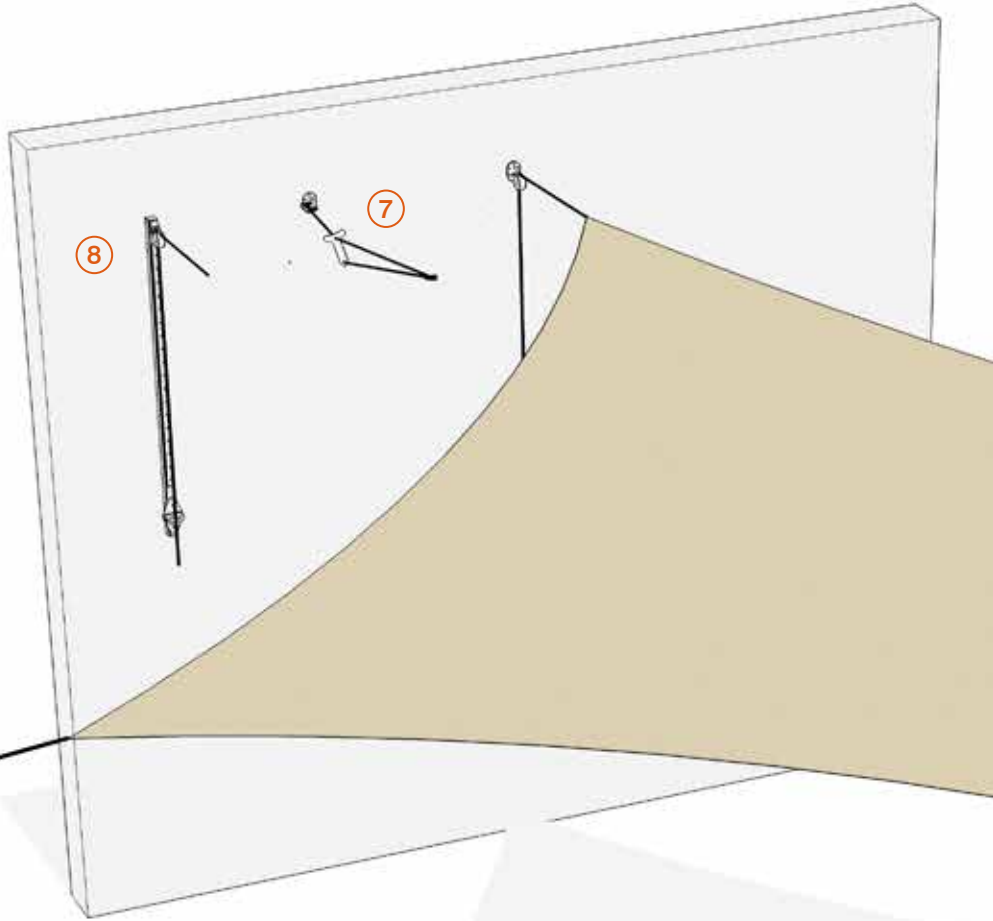




The innovative shading system
with unique characteristics

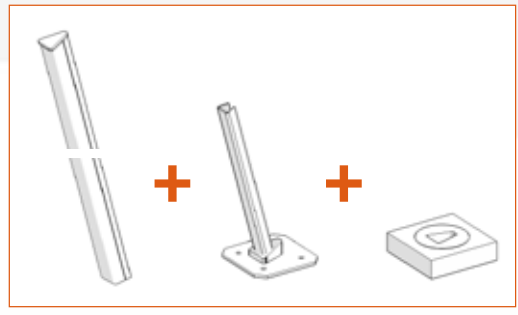
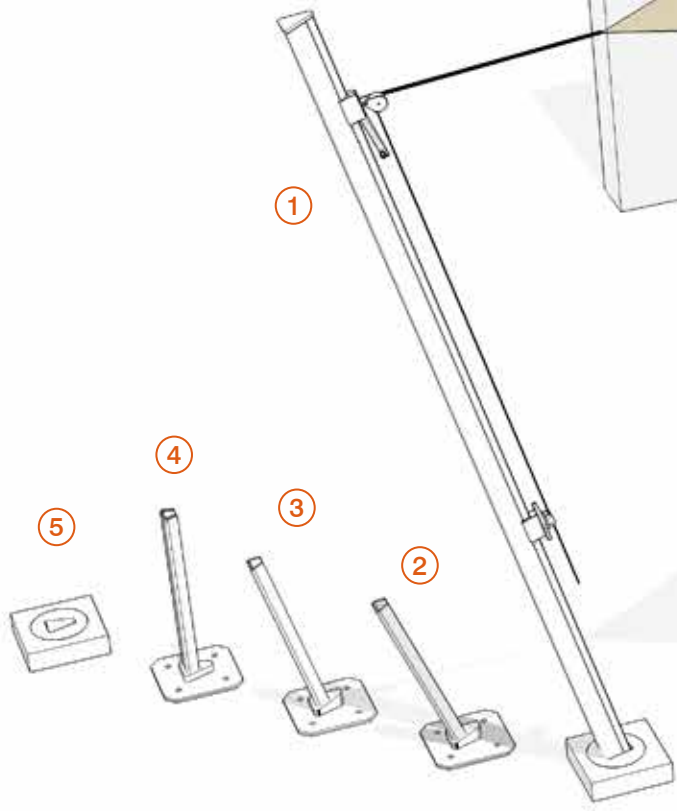






POLES FIXING SYSTEMS

The Airone system provides fixing systems for each type of surface: from sand to floors, from ground to concrete.



Versatility: with the Airone system it is possible to shade gardens and outdoor spaces easily, due to the different fixing systems together with the wide range of shapes and sails dimensions.

Elegance: with the essential shapes, the choice of the pole finishing and sails, you can obtain systems which suit every kind of garden and building style.

Quality: the patented designed profile of the poles, gives a high resistance to the system; all the metal parts have been zincd and coated, in order to have an excellent protection against atmospheric agents. Otherwise, using the stainless steel version, you can have a very high resistance and a modern and nice finishing.

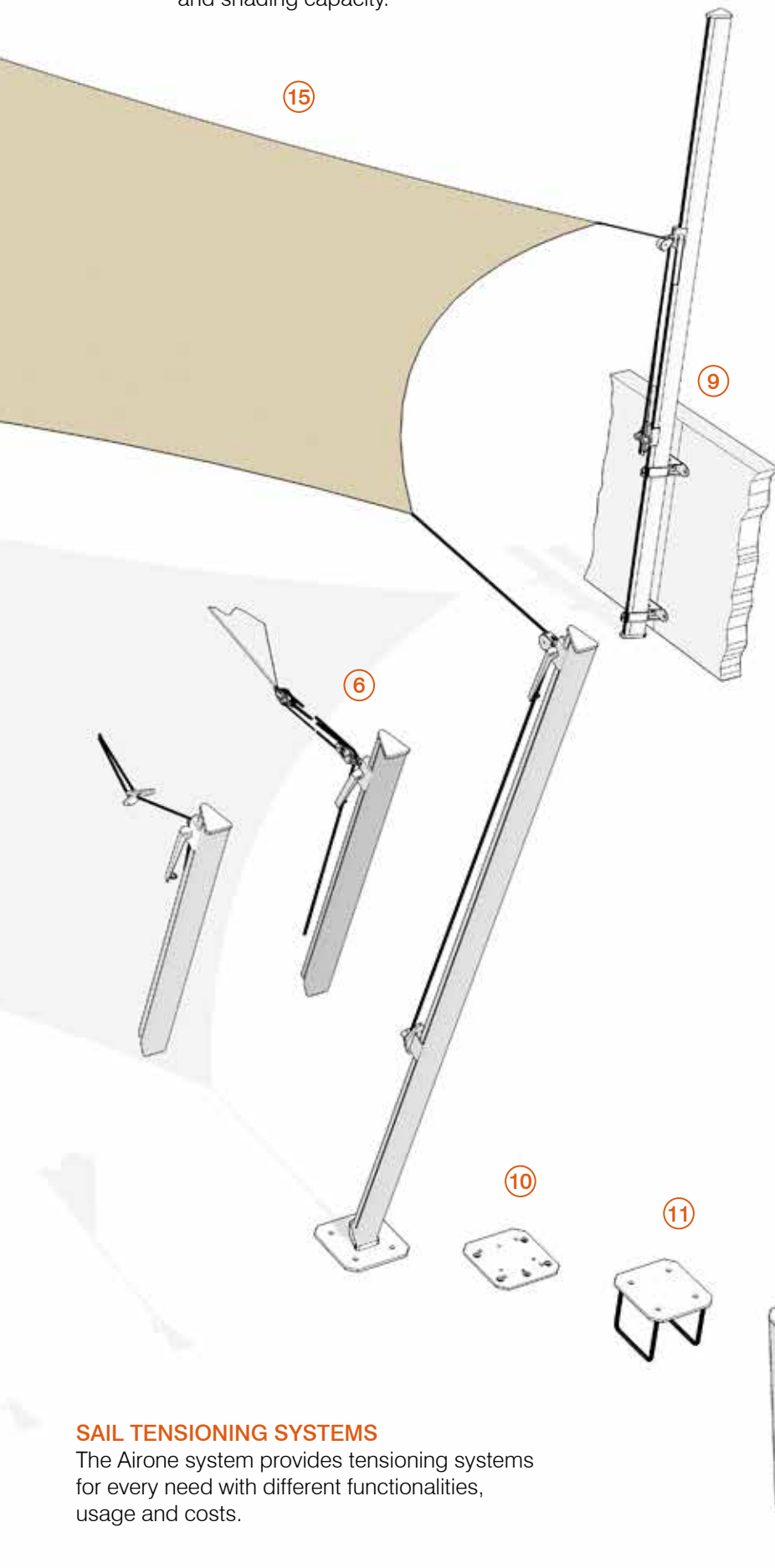
Convenience: the Airone system is designed to allow easy and safe assembling, even for not specialized people. Moving sails is easy, due to practical unblocking systems that can be used in complete safety.

A big step forward compared to the classic umbrella.

	aesthetic	wind resistance	coverage dimension	no counterbalance
Airone sails	●●●●●	●●●●●	●●●●	●●●●
Umbrella	●●	●●	●●●	●●●

SAILS

The Airone system provides a wide range of fabrics for coverage up to 30 m² with different characteristics of impermeability and shading capacity.



AIRONE SYSTEM COMPONENTS:

- | | | |
|-----|--------------------------------------|-------|
| 1. | profiles /poles | p. 12 |
| 2. | 75° floor supports | p. 12 |
| 3. | 80° floor supports | p. 13 |
| 4. | 90° floor supports | p. 13 |
| 5. | carters for supports | p. 12 |
| 6. | sails tensioning systems | p. 14 |
| 7. | fixed wall systems | p. 16 |
| 8. | adjustable wall systems | p. 18 |
| 9. | parapet fixing system | p. 20 |
| 10. | floor supports counterplate | p. 25 |
| 11. | walling plate | p. 25 |
| 12. | ferrule to drive into the sand | p. 25 |
| 13. | 90° support to drive into the ground | p. 25 |
| 14. | 75° support to drive into the ground | p. 25 |
| 15. | shading sails | p. 26 |

SAIL TENSIONING SYSTEMS

The Airone system provides tensioning systems for every need with different functionalities, usage and costs.

Kit BASIC 2.8

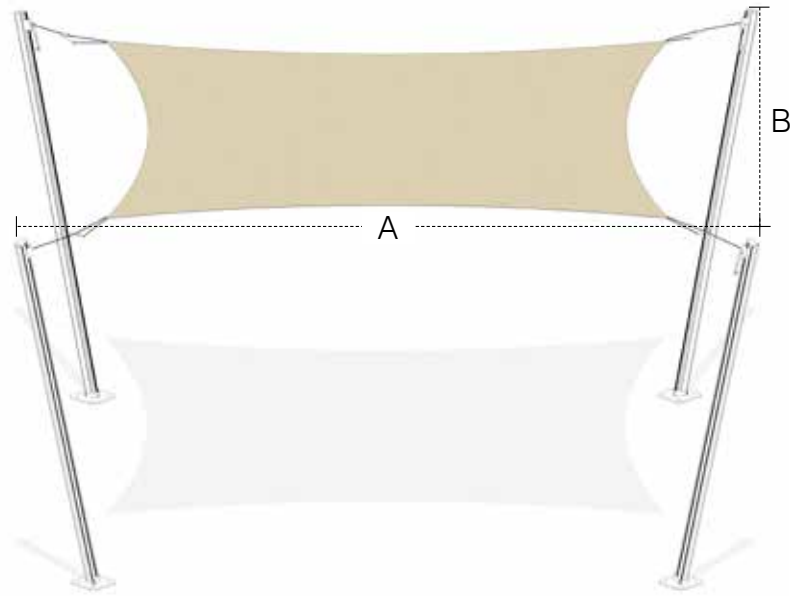
with square or rectangular sail up to 25 m²



Customize your own shading zone of relax, choose the poles colour, the fabric and the size of the sail.

Available finishing:

- silver RAL 9006
- white RAL 1013
- anthracite
- bronze



Assembly instructions and drawings included in the pack.

Items that compose your shading zone

1x Sail size and fabric finishing at your choice. Choose the fabric, colour and size.

TENTMESH fabric



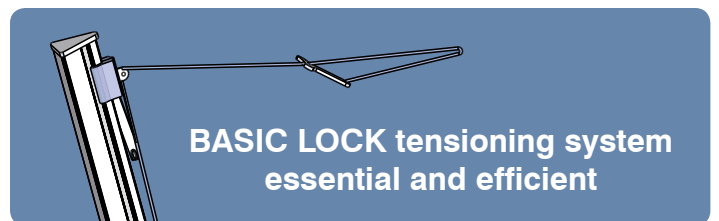
TEXTILENE fabric



SUNBRELLA fabric



4x Basic Lock tensioning system (sail tension clamps and tensors)



4x 280 cm coated zinc steel poles; choice of colours



4x 75° floor supports



price and sizes

sail size	sail space (AxB)	sail price	structure price	Kit price
3x3 m	4,4x4,4 m			
4x4 m	5,4x5,4 m			
5x5 m	6,4x6,4 m			
3x2 m	4,6x3,3 m			
4x3 m	5,6x4,2 m			
5x4 m	6,5x5,3 m			

Kit BASIC 3.2

with square or rectangular sail up to 30 m²



Customize your own shading zone of relax, choose the poles colour, the fabric and the size of the sail.

Available finishing:



silver
RAL 9006



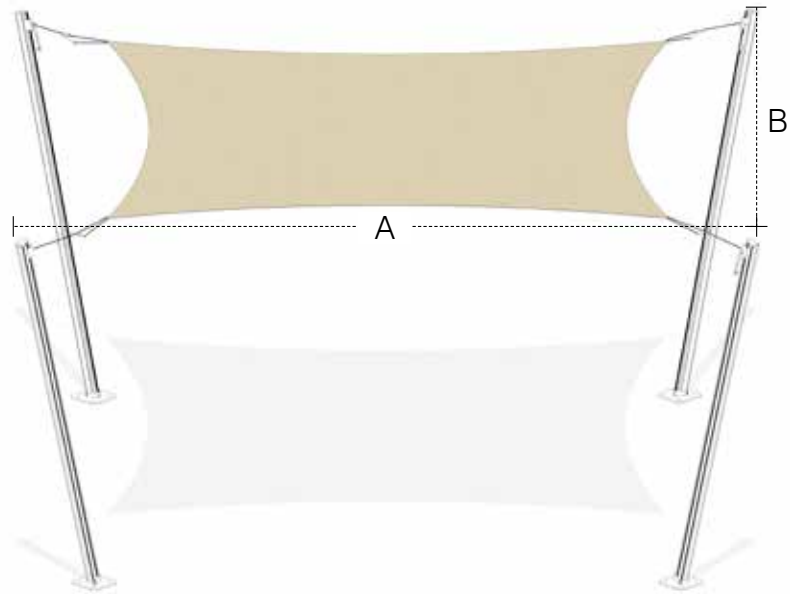
white
RAL 1013



anthracite



bronze



Assembly instructions and drawings included in the pack.

Items that compose your shading zone

1x Sail size and fabric finishing at your choice.
Choose the fabric, colour and size.

TENTMESH fabric



ivory



sand

TEXTILENE fabric



ivory



sand



anthracite

SUNBRELLA fabric



ivory

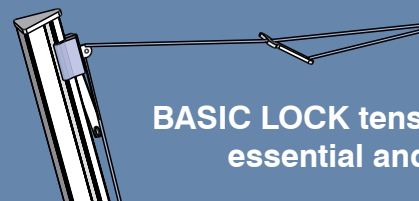


sand



anthracite

4x Basic Lock tensioning system
(sail tension clamps and tensors)

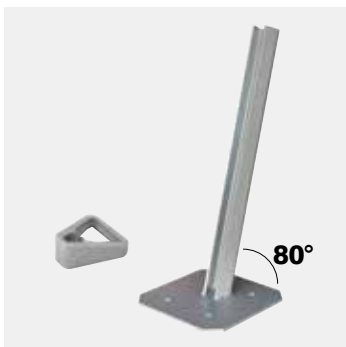


BASIC LOCK tensioning system
essential and efficient

4x 320 cm coated zinc steel poles; choice of colours



4x 80° floor supports



price and sizes

sail size	sail space (AxB)	sail price	structure price	Kit price
4x4 m	5,4x5,4 m			
5x5 m	6,4x6,4 m			
5,5x5,5 m	6,9x6,9 m			
5x4 m	6,5x5,3 m			
6x4 m	7,6x5,1 m			
6x5 m	7,5x6,3 m			

Kit EASY 2.8

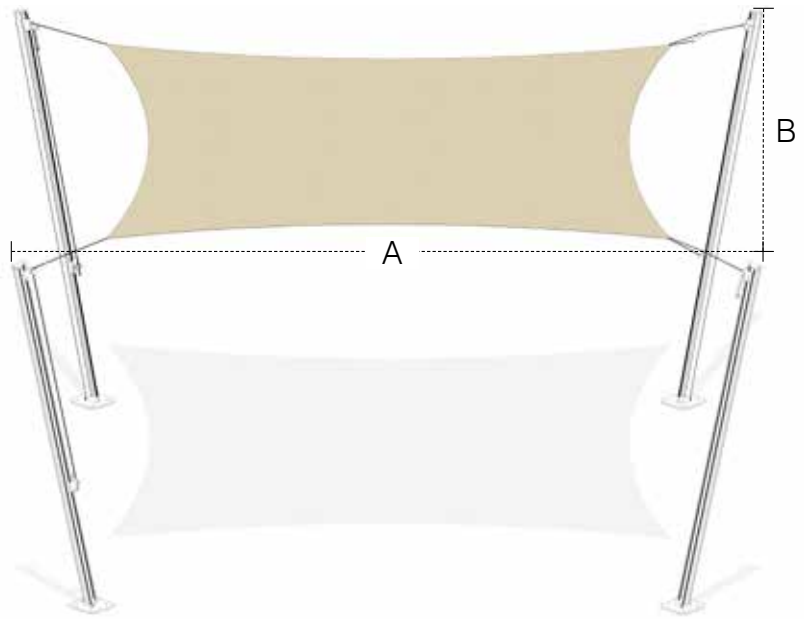
with square or rectangular sail up to 25 m²



Customize your own shading zone of relax, choose the poles colour, the fabric and the size of the sail.

Available finishing:

- silver
RAL 9006
- white
RAL 1013
- anthracite
- bronze



Assembly instructions and drawings included in the pack.

Items that compose your shading zone

1x Sail size and fabric finishing at your choice.
Choose the fabric, colour and size.

TENTMESH fabric



TEXTILENE fabric



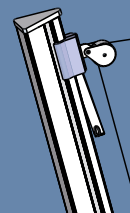
SUNBRELLA fabric



2x Basic Lock tensioning systems



2x Easy Lock tensioning system



EASY LOCK tensioning system
it makes everything easier

4x 280 cm coated zinc steel poles; choice of colours



4x 75° floor supports



price and sizes

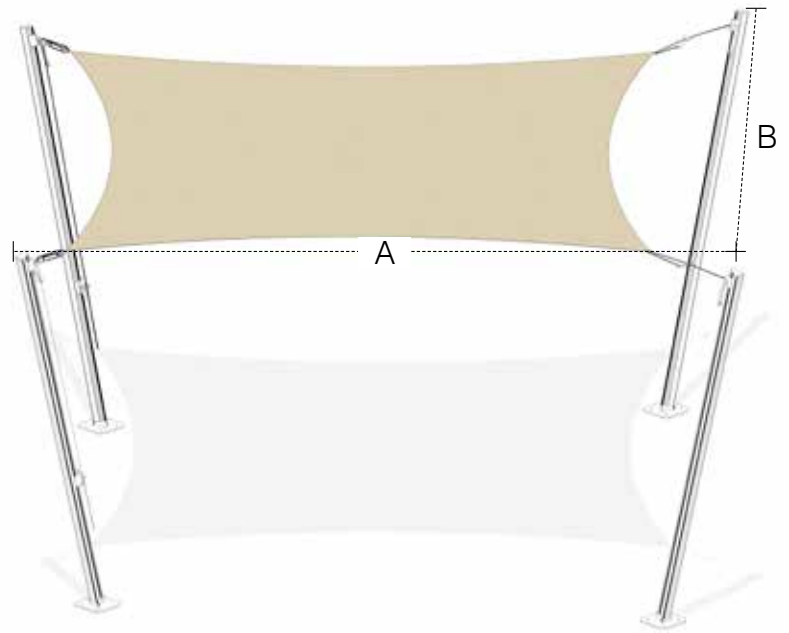
sail size	sail space (AxB)	sail price	structure price	Kit price
3x3 m	4,4x4,4 m			
4x4 m	5,4x5,4 m			
5x5 m	6,4x6,4 m			
3x2 m	4,6x3,3 m			
4x3 m	5,6x4,2 m			
5x4 m	6,5x5,3 m			

Kit EASY 3.2

with square or rectangular sail up to 30 m²



Customize your own shading zone of relax, choose the poles colour, the fabric and the size of the sail.



Assembly instructions and drawings included in the pack.

Available finishing:

- silver
RAL 9006
- white
RAL 1013
- anthracite
- bronze

Items that compose your shading zone

1x Sail size and fabric finishing at your choice.
Choose the fabric, colour and size.

TENTMESH fabric



TEXTILENE fabric



SUNBRELLA fabric



2x Basic Lock tensioning systems



2x Plus Lock tensioning system

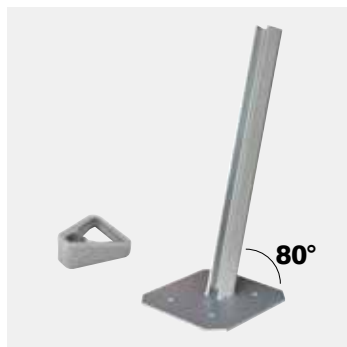


PLUS LOCK
a minimum effort for a perfect result

4x 320 cm coated zinc steel poles; choice of colours



4x 80° floor supports



price and sizes

sail size	sail space (AxB)	sail price	structure price	Kit price
4x4 m	5,4x5,4 m			
5x5 m	6,4x6,4 m			
5,5x5,5 m	6,9x6,9 m			
5x4 m	6,5x5,3 m			
6x4 m	7,6x5,1 m			
6x5 m	7,5x6,3 m			

Kit PLUS 2.8

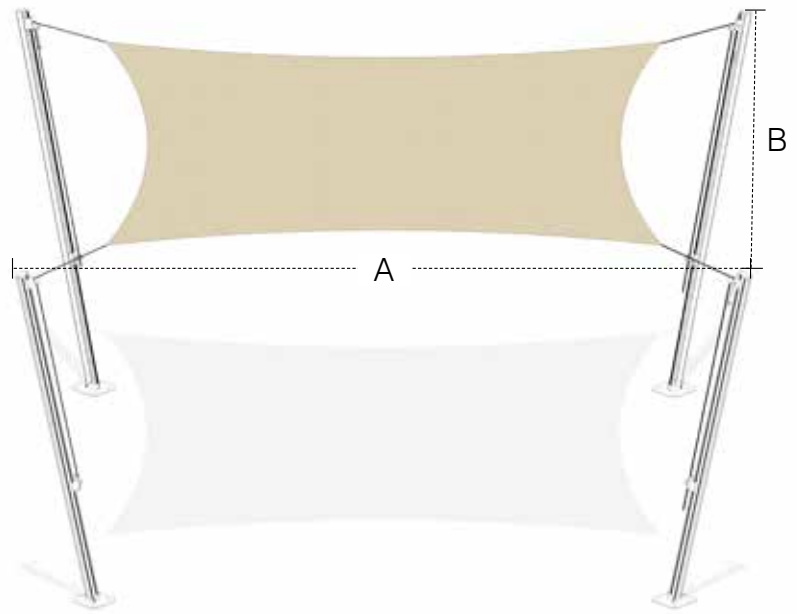
with square or rectangular sail up to 25 m²



Customize your own shading zone of relax, choose the poles colour, the fabric and the size of the sail.

Available finishing:

- silver RAL 9006
- white RAL 1013
- anthracite
- bronze



Assembly instructions and drawings included in the pack.

Items that compose your shading zone

1x Sail size and fabric finishing at your choice. Choose the fabric, colour and size..

TENTMESH fabric



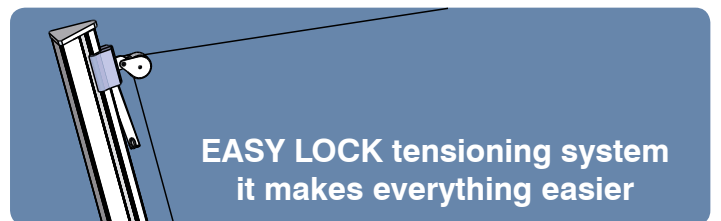
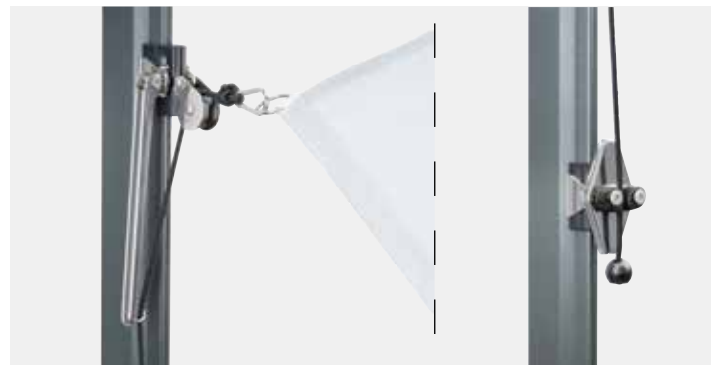
TEXTILENE fabric



SUNBRELLA fabric



4x Easy Lock tensioning systems



4x 280 cm coated zinc steel poles; choice of colours



4x 75° floor supports



price and sizes

sail size	sail space (AxB)	sail price	structure price	Kit price
3x3 m	4,4x4,4 m			
4x4 m	5,4x5,4 m			
5x5 m	6,4x6,4 m			
3x2 m	4,6x3,3 m			
4x3 m	5,6x4,2 m			
5x4 m	6,5x5,3 m			

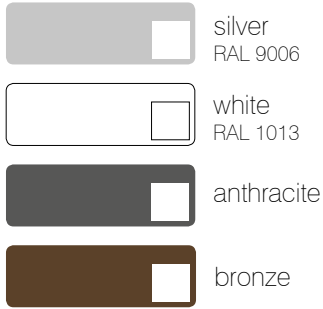
Kit PLUS 3.2

with square or rectangular sail up to 30 m²



Customize your own shading zone of relax, choose the poles colour, the fabric and the size of the sail.

Available finishing:



Assembly instructions and drawings included in the pack.

Items that compose your shading zone

1x Sail size and fabric finishing at your choice. Choose the fabric, colour and size..

TENTMESH fabric



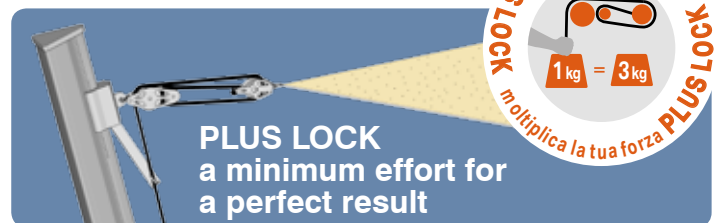
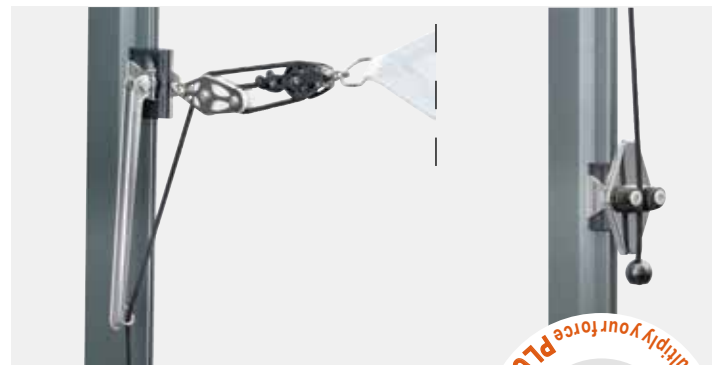
TEXTILENE fabric



SUNBRELLA fabric



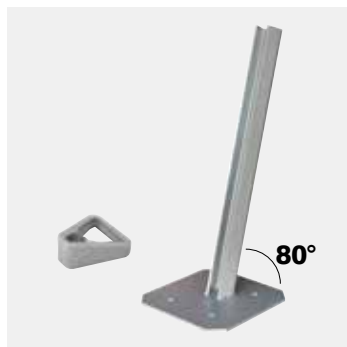
4x Plus Lock tensioning system



4x 320 cm coated zinc steel poles; choice of colours



4x 80° floor supports



price and sizes

sail size	sail space (AxB)	sail price	structure price	Kit price
4x4 m	5,4x5,4 m			
5x5 m	6,4x6,4 m			
5,5x5,5 m	6,9x6,9 m			
5x4 m	6,5x5,3 m			
6x4 m	7,6x5,1 m			
6x5 m	7,5x6,3 m			



The innovative shading system
with unique characteristics





POLES AND SUPPORTS

ALTEZZA PALO • POLE HEIGHT
2,8
m

MT 2.80 POLE



Colour code

9000VS2800 | silver RAL9006



9000VB2800 | white RAL1013



9000VA2800 | anthracite



9000VM2800 | bronze



Description

High resistance profile, zined and coated

NOTE: with 280 cm length poles, use code 9076,9088,9089,9080 floor supports.

Price

Included fittings

cap



safety pin



75° SUPPORT FOR MT 2.80 POLE



Code

9076ZF2525

Description

Reinforced 75° floor support for pole installation. Spacer included

Dimension
250x250 mm - h. 600 mm

Material
Hot galvanized steel

Price

90° SUPPORT FOR MT 2.80 POLE



Code

9088ZF2525

Description

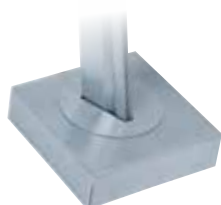
Reinforced 90° floor support for pole installation. Spacer included

Dimension
250x250 mm - h. 600 mm

Material
Hot galvanized steel

Price

CARTER FOR SUPPORTS



Code

9005VS0000 | silver RAL9006



9005VB0000 | white RAL1013



9005VA0000 | anthracite



9005VM0000 | bronze



Colour Description

Steel carter for support coverage.

Price

MT 3.20 POLE



Colour code

9000VS3200 | silver RAL9006



9000VB3200 | white RAL1013



9000VA3200 | anthracite



9000VM3200 | bronze



Description

High resistance profile, zinc and coated

NOTE: For 320 cm length profiles, use code 9080,9089 floor supports.

Price

Included fittings

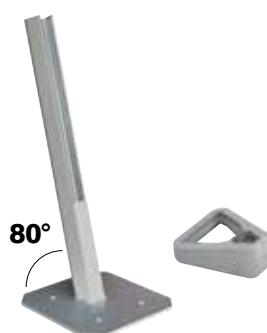
cap



safety pin



80° SUPPORT FOR MT 3.20 POLE



Code

9080ZF2525

Description

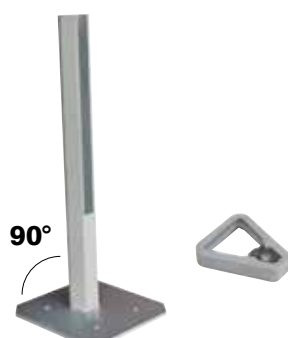
Reinforced 80° floor support for pole installation. Spacer included.

Dimension
250x250 mm - h. 750 mm

Material
Hot galvanized steel

Price

90° SUPPORT FOR MT 3.20 POLE



Code

9089ZF2525

Description

90° floor support for pole installation. Spacer included.

Dimensions
250x250 mm - h. 750 mm

Material
Hot galvanized steel

Price

MT 2.60 POLE WITH STAINLESS STEEL 75° OR 90° SUPPORTS



Code

9000IN2600

Description

AISI 304 stainless steel profile, Scotch Brite satined

Price

9075IN2525

9090IN2525

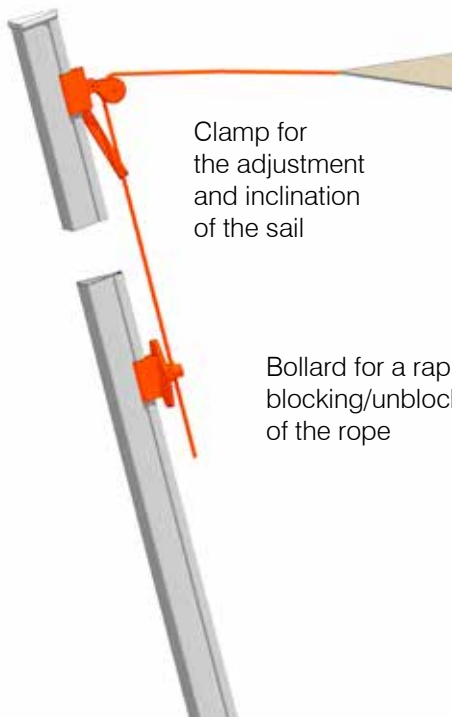
stainless steel 75° and 90° supports

TENSIONING SYSTEMS

BASIC LOCK



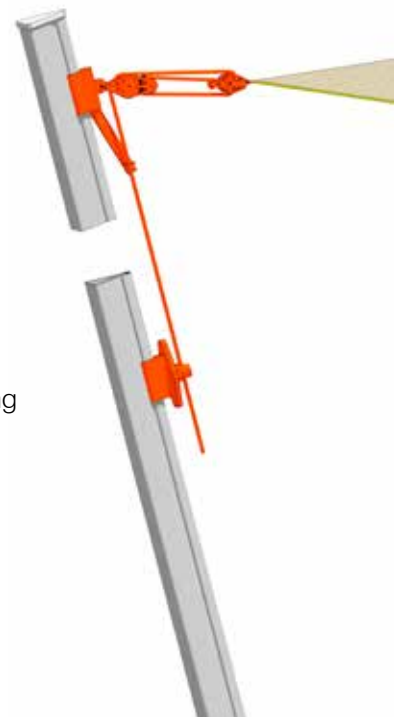
EASY LOCK



Clamp for the adjustment and inclination of the sail

Bollard for a rapid blocking/unblocking of the rope

PLUS LOCK



The tensioning is the operation that allows you to tighten the sail towards the poles for having a smooth surface of the fabric. The opposite operation (detensioning), for the

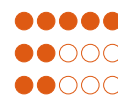
disassembling of the sail, is important as it must be done quickly and easily in case of need.

BASIC LOCK TENSIONING KIT



BASIC LOCK is the easiest tensioning system because of its assembling simpleness and the low cost.

Assembling easiness
Practical usage
Tensioning force



Watch video



Colour code

9053NS0000 | silver RAL9006



9053NB0000 | white RAL1013



9053NA0000 | anthracite*



Kit items

- 1,8m rope
- tensor
- snap hook
- patented clamp

Price

* unique colour for anthracite and bronze poles

EASY LOCK TENSIONING SYSTEM



EASY LOCK allows you to tension-detension the sail at eye level without needing ladders or other lifting device. The practical clamps make easy and effective the adjusting of the sail.

Recommended for sails up to 20/25 m².

Assembling easiness
Practical usage
Tensioning force



Watch video



Colour code

9190NS0000 | silver RAL9006



9190NB0000 | white RAL1013



9190NA0000 | anthracite*



Kit items

- 4 m rope
- stopping rope ball
- snap hook
- clamp with pulley and stainless steel lever
- clamp with camcleats and stainless steel bollard

Price

* unique colour for anthracite and bronze poles

PLUS LOCK TENSIONING SYSTEM



PLUS LOCK allows you to tension-detension the sail at eye level with a system that allows, with the same effort, greater traction. The practical levers make simple and effective the adjusting of the sail.

Recommended for sails over 20/25 m².

Assembling easiness
Practical usage
Tensioning force



Watch video



Colour code

9191NS0000 | silver RAL9006



9191NB0000 | white RAL1013



9191NA0000 | anthracite*



Kit items

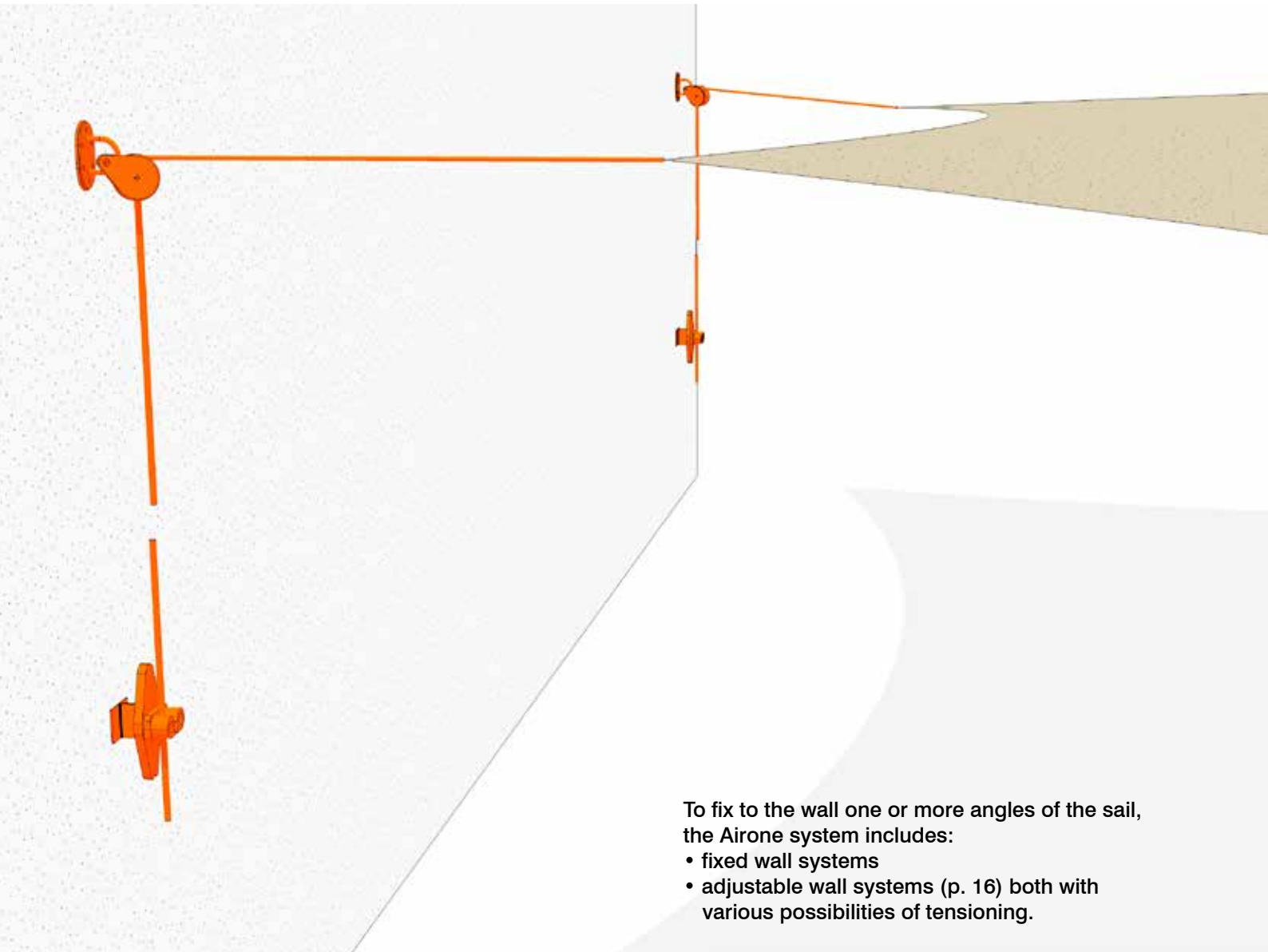
- 6 m rope
- stopping rope ball
- clamp with violin shaped pulleys and stainless steel lever
- clamp with camcleats and stainless steel bollard

Price

* unique colour for anthracite and bronze poles

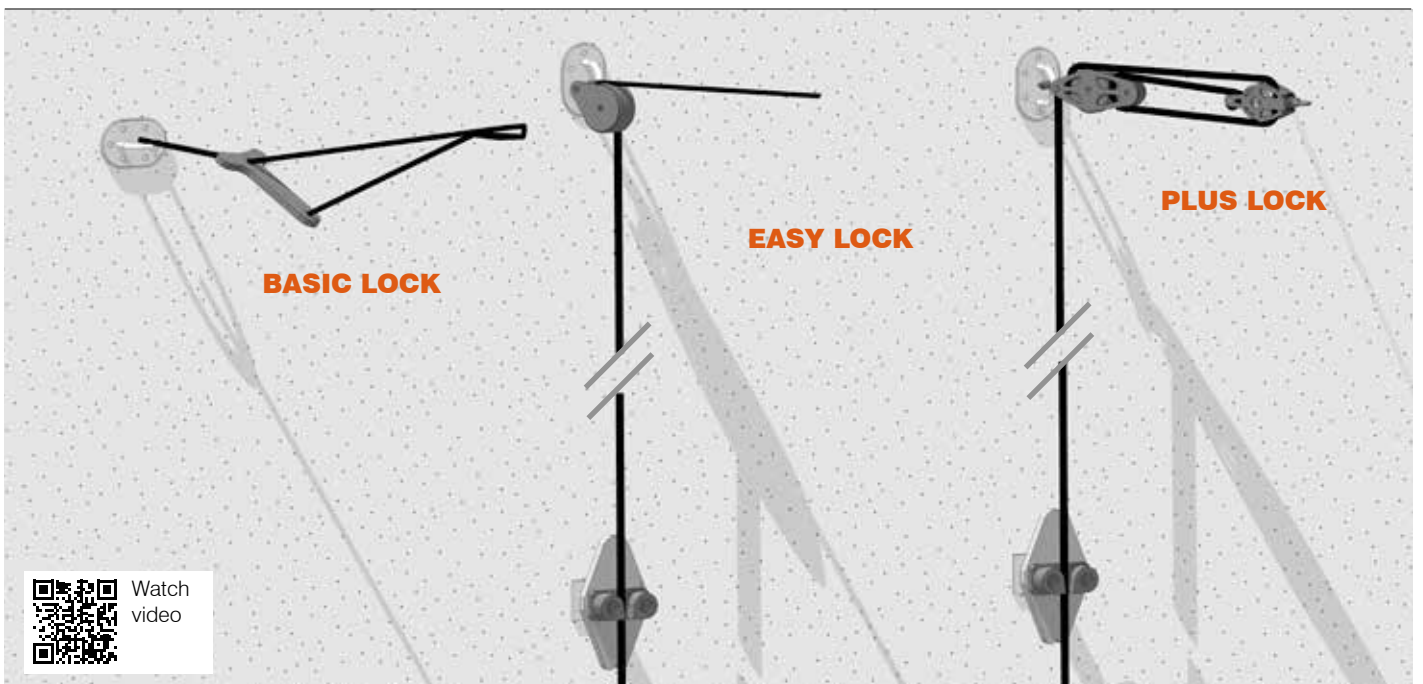


FIXED WALL SYSTEMS



To fix to the wall one or more angles of the sail, the Airone system includes:

- fixed wall systems
- adjustable wall systems (p. 16) both with various possibilities of tensioning.



Watch
video

BASIC LOCK WALL KIT



BASIC LOCK is the easiest tensioning system with a high simplicity and a low cost.



Code	Kit items	Price
9070IN0000	<ul style="list-style-type: none"> • round rod • 1,8m rope • tensor • snap hook 	

EASY LOCK WALL KIT



EASY LOCK allows you to tension-detension the sail at eye level without needing ladders or other lifting device. The practical clamps make easy and effective the adjusting of the sail. the pulley and the camcleat make simple and understandable the adjusting operation.



Recommended for sails up to 20/25 m².



Code	Kit items	Price
9072IN0000	<ul style="list-style-type: none"> • round rod • pulley • 4m rope • snap hook • camcleat 	

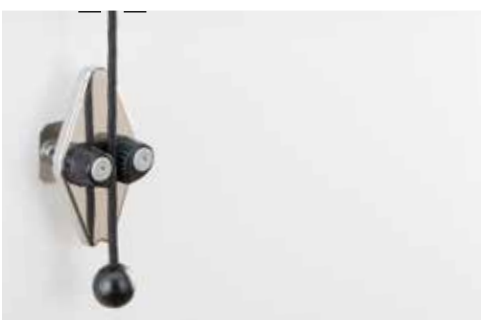
PLUS LOCK WALL KIT



PLUS LOCK allows you to tension-detension the sail at eye level with a system that allows, with the same effort, greater traction. The practical levers make simple and effective the adjusting of the sail. the pulley and the camcleat make simple, understandable and strong the tensioning and the adjustment.

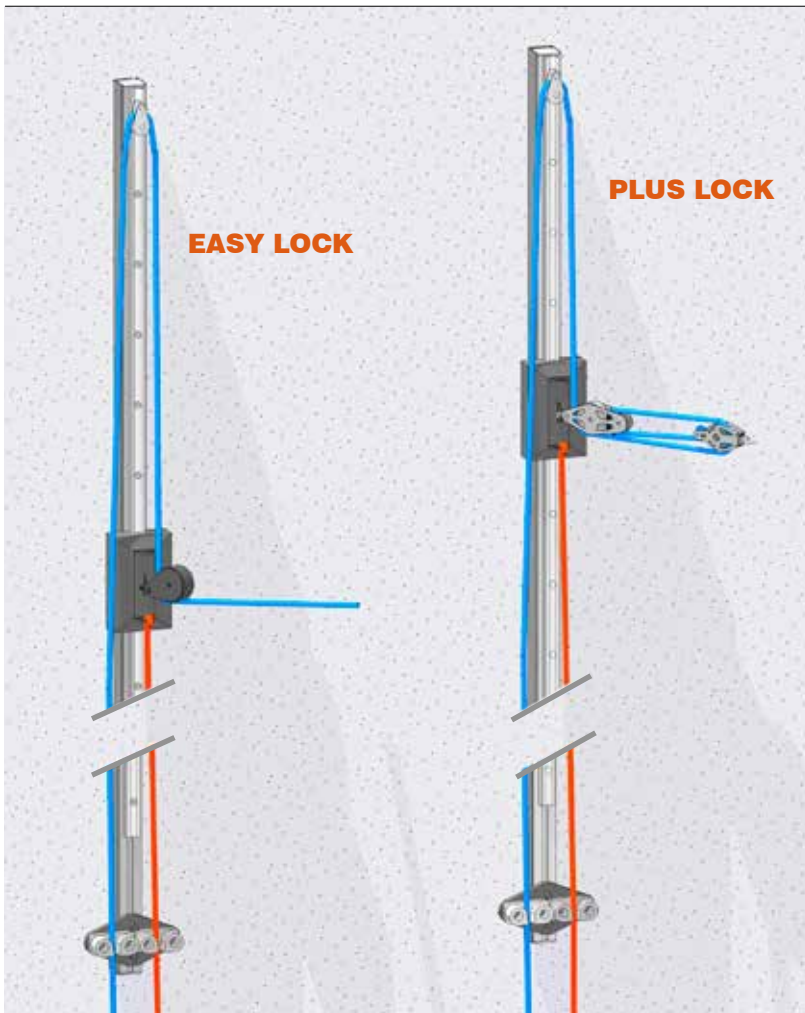
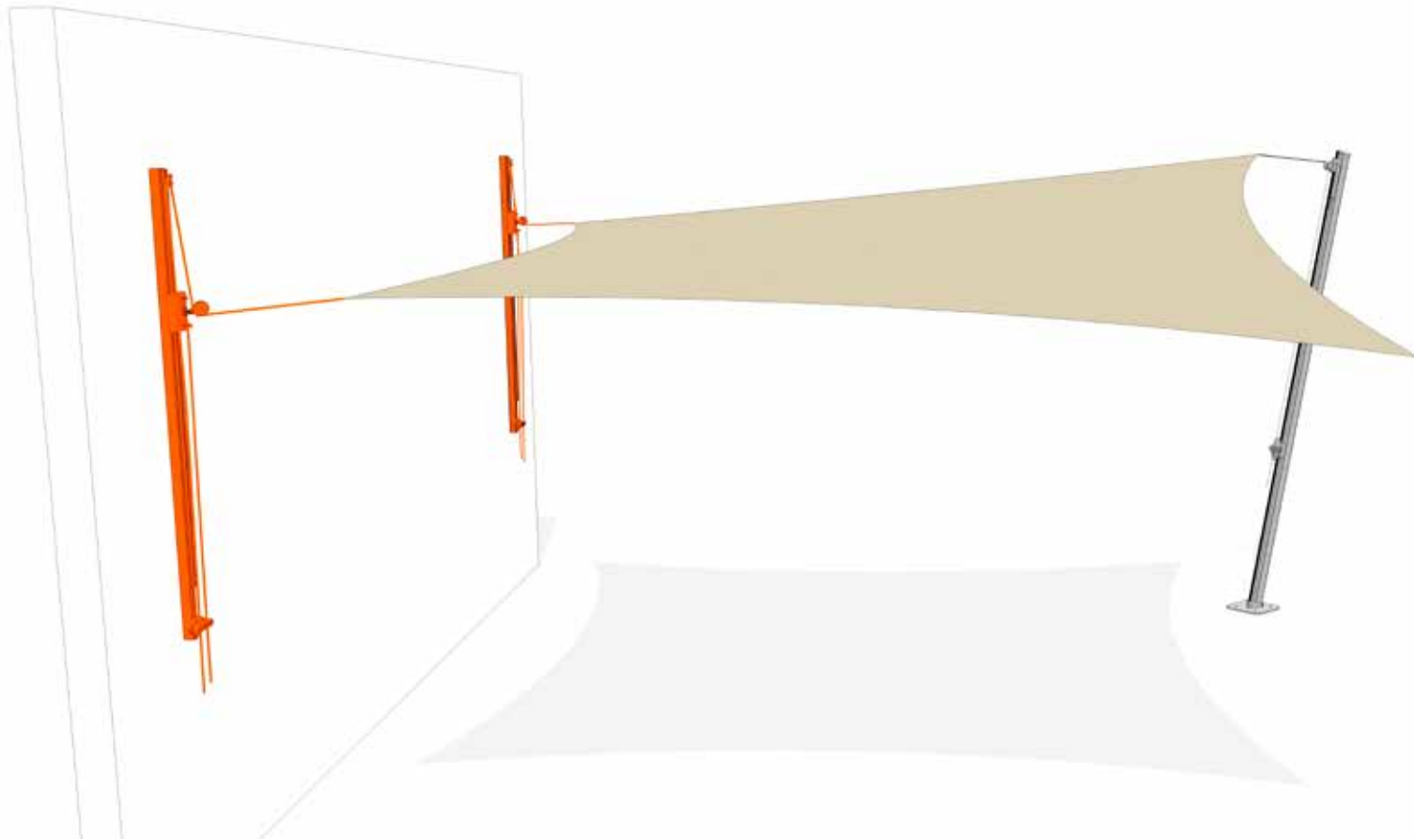


Recommended for sails over 20/25 m².



Code	Kit items	Price
9074IN0000	<ul style="list-style-type: none"> • round rod • pulleys system 3:1 force • 6m rope • snap hook • camcleat 	

ADJUSTABLE WALL SYSTEMS



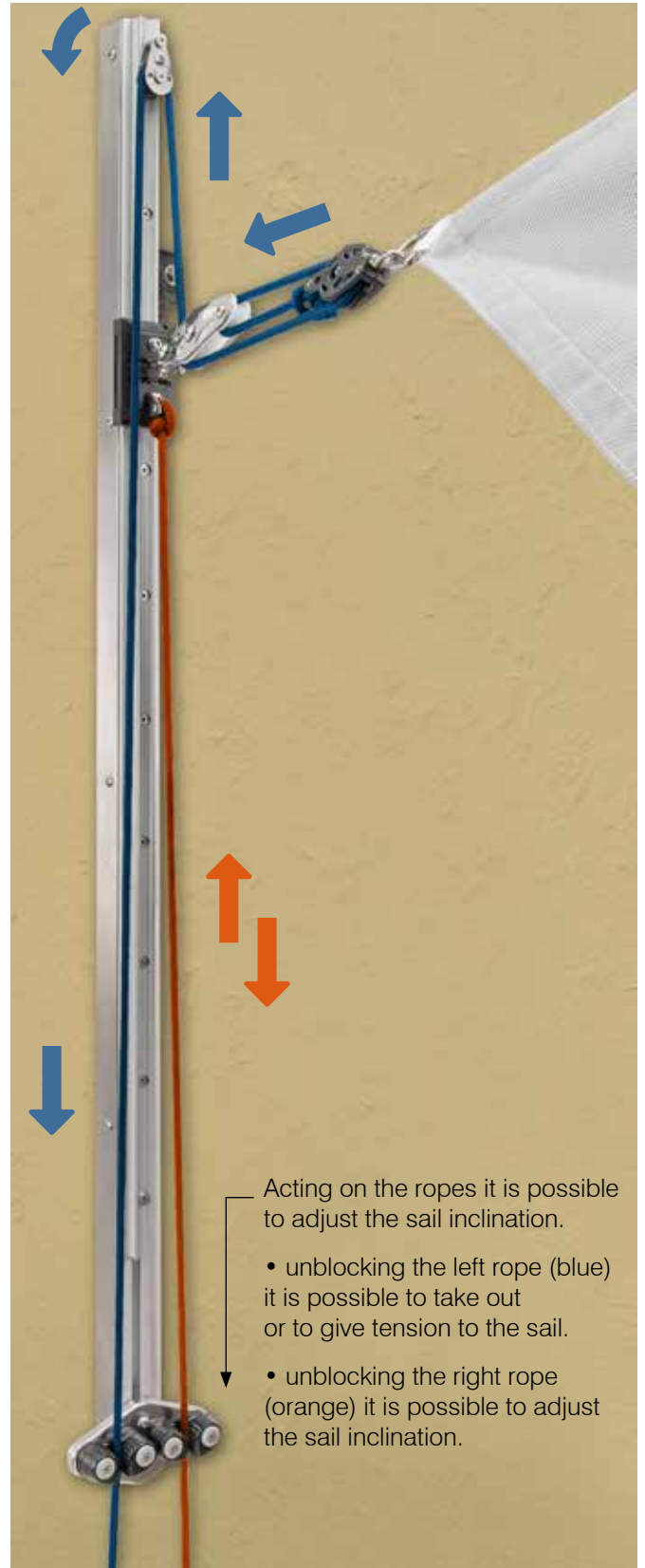
The wall slide with up/down adjustment, allows you to adjust the sail inclination from the floor, simply acting on two ropes.

- unblocking the left rope (blue) it is possible to take out or to give tension to the sail.
- unblocking the right rope (orange) it is possible to adjust the sail inclination.



NOTE: after having fixed to the wall the stainless steel profile, join it to the anodized aluminium slide with the special screws and studs to finish the assembling.

WALL SLIDE WITH UP/DOWN ADJUSTMENT MT 1.70



NOTE: the colours of the ropes are for illustrative purposes only. They are supplied in black colour.

with EASY LOCK system



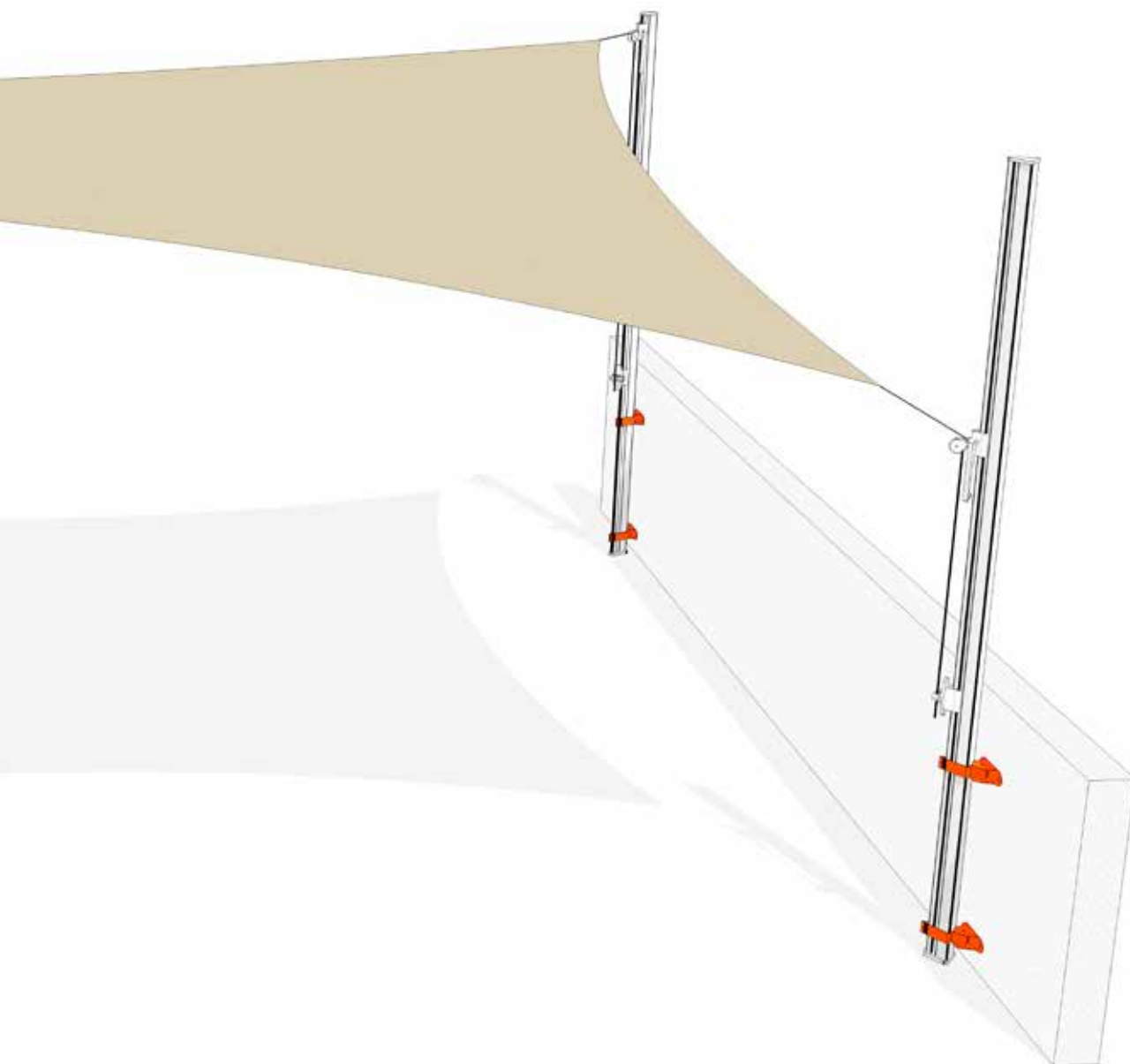
Code	Description	Price
9109INKIT1	slide, track, up/down adjustable loop slide, easy lock and camcleat.	

with PLUS LOCK system



Code	Description	Price
9109INKIT2	slide, track, up/down adjustable loop slide, plus lock with and camcleat	


PARAPET FIXING




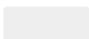
PARAPET FIXING





Code	Colour	Description	Price
------	--------	-------------	-------

9105IN0000 stainless steel		Stirrup for fixing to wall or vertical surface. 140° angle coverage, it can be used with any sail shape and size. Material Stainless steel / coated steel	
------------------------------	---	--	--

9105VS0000 silver RAL9006	
-----------------------------	---

9105VB0000 white RAL1013	
----------------------------	---

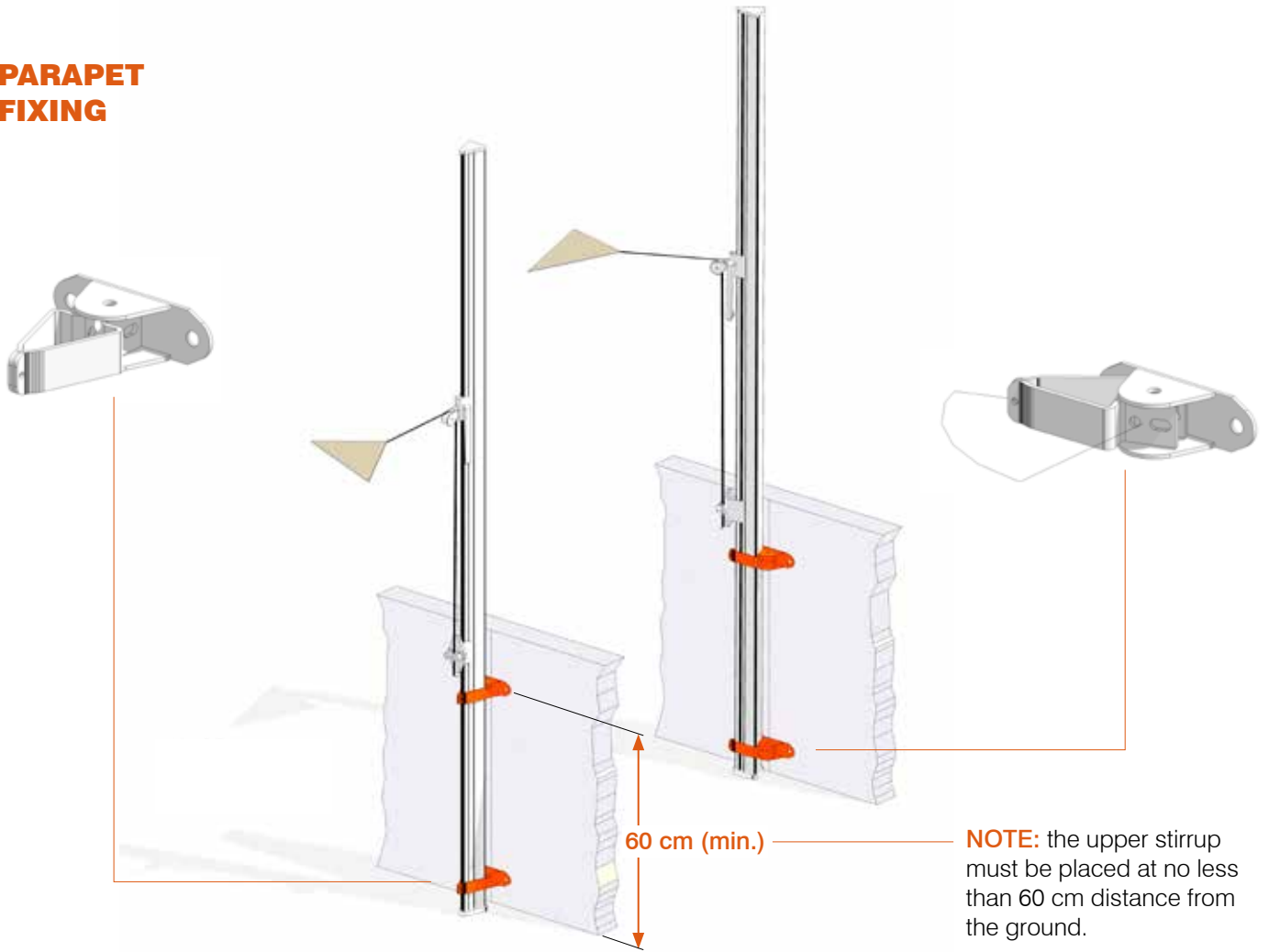
9105VA0000 anthracite	
-------------------------	---

9105VM0000 bronze	
---------------------	---

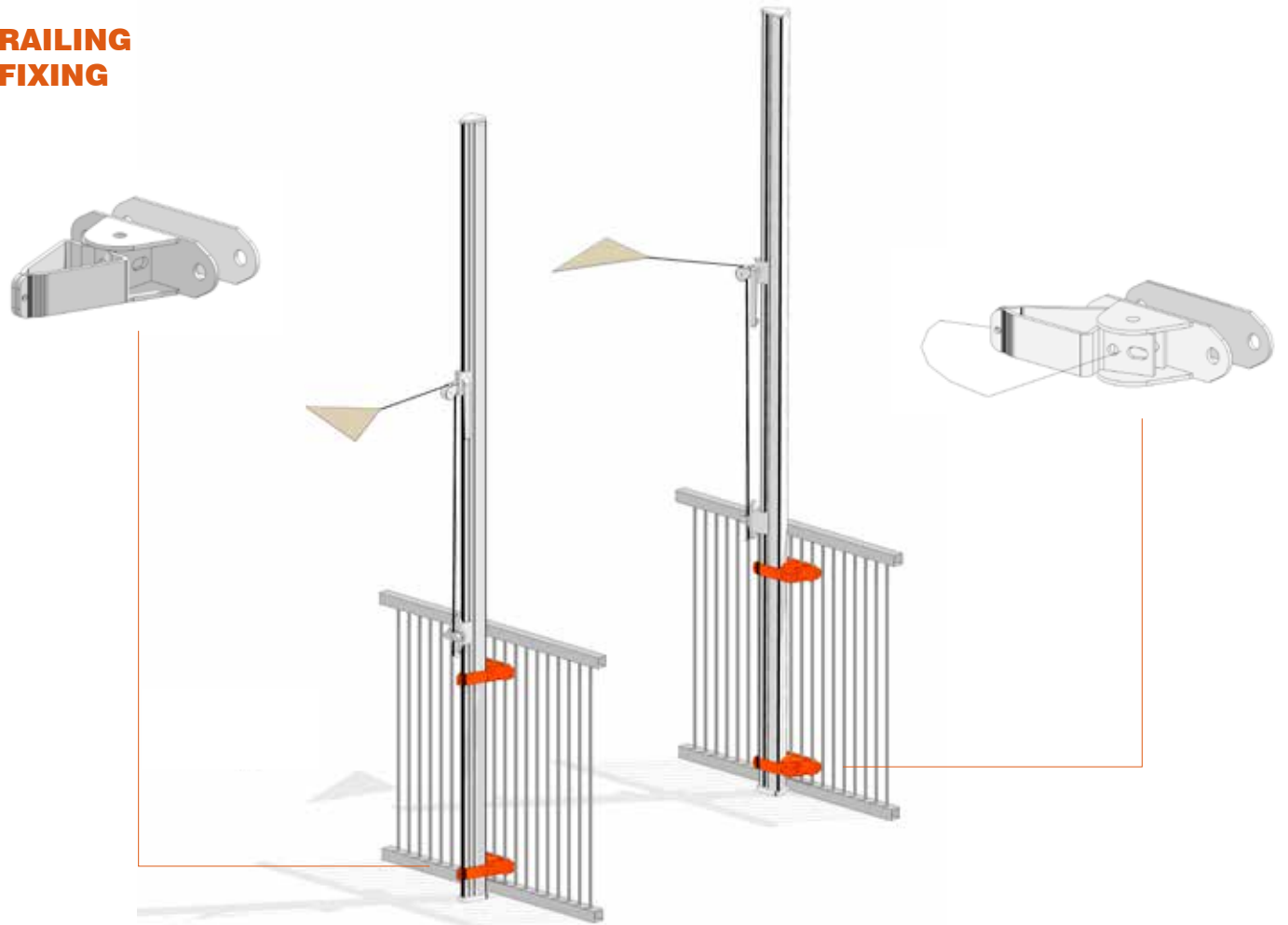
Code	Description	Price
------	-------------	-------

9107IN0000	Counterplate for railing fixing (for 9105 code) Material Stainless steel	
------------	--	--

PARAPET FIXING



RAILING FIXING



DOUBLE SUPPORTS FOR SAILS COMPOSITIONS

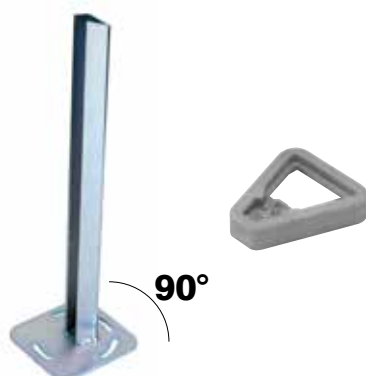


DOUBLE PLATE FOR MULTIPLE STRUCTURES

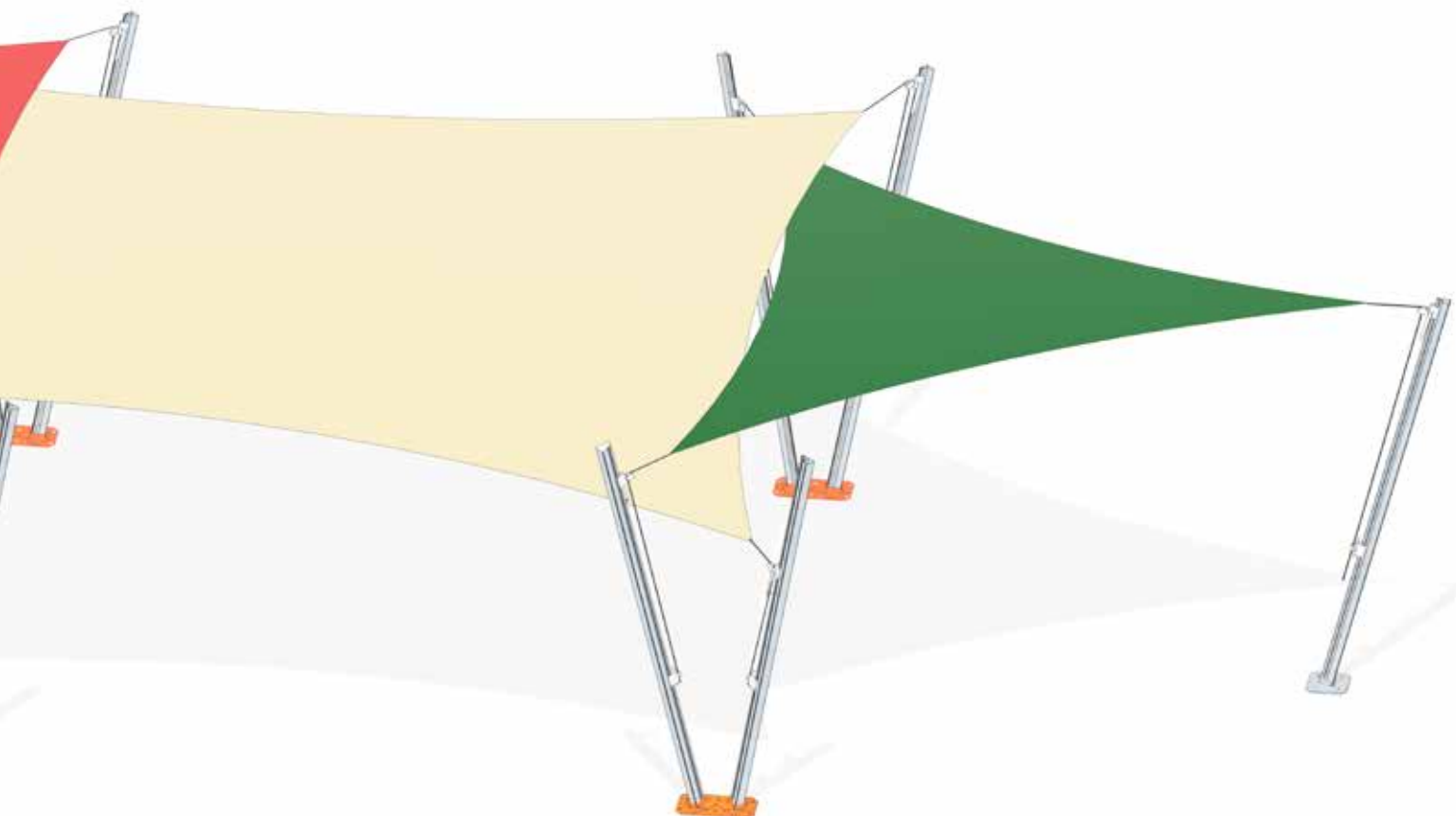


Code	Description	Price
9175ZF2525	Double plate for multiple structures to use with 2 pcs. cod. 9116 or cod. 9121 adjustable +/- 20° complete with screws and washers. Dimension 250x500 mm	

90° SUPPORT FOR DOUBLE PLATE



Code	Description	Price
9121ZF0090	90° support with reduced base. Spacer included. Dimension h 600 mm	

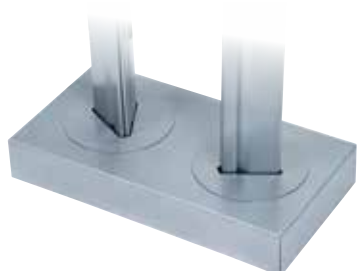


75° SUPPORT FOR DOUBLE PLATE



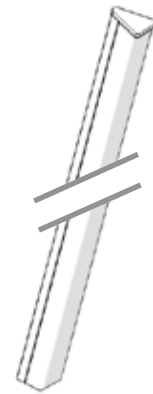
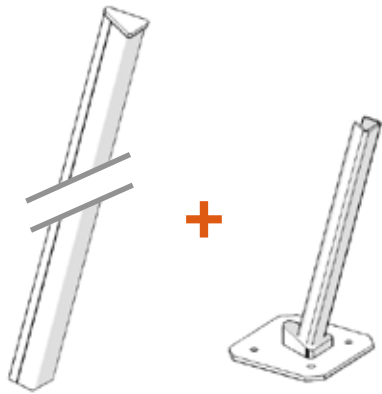
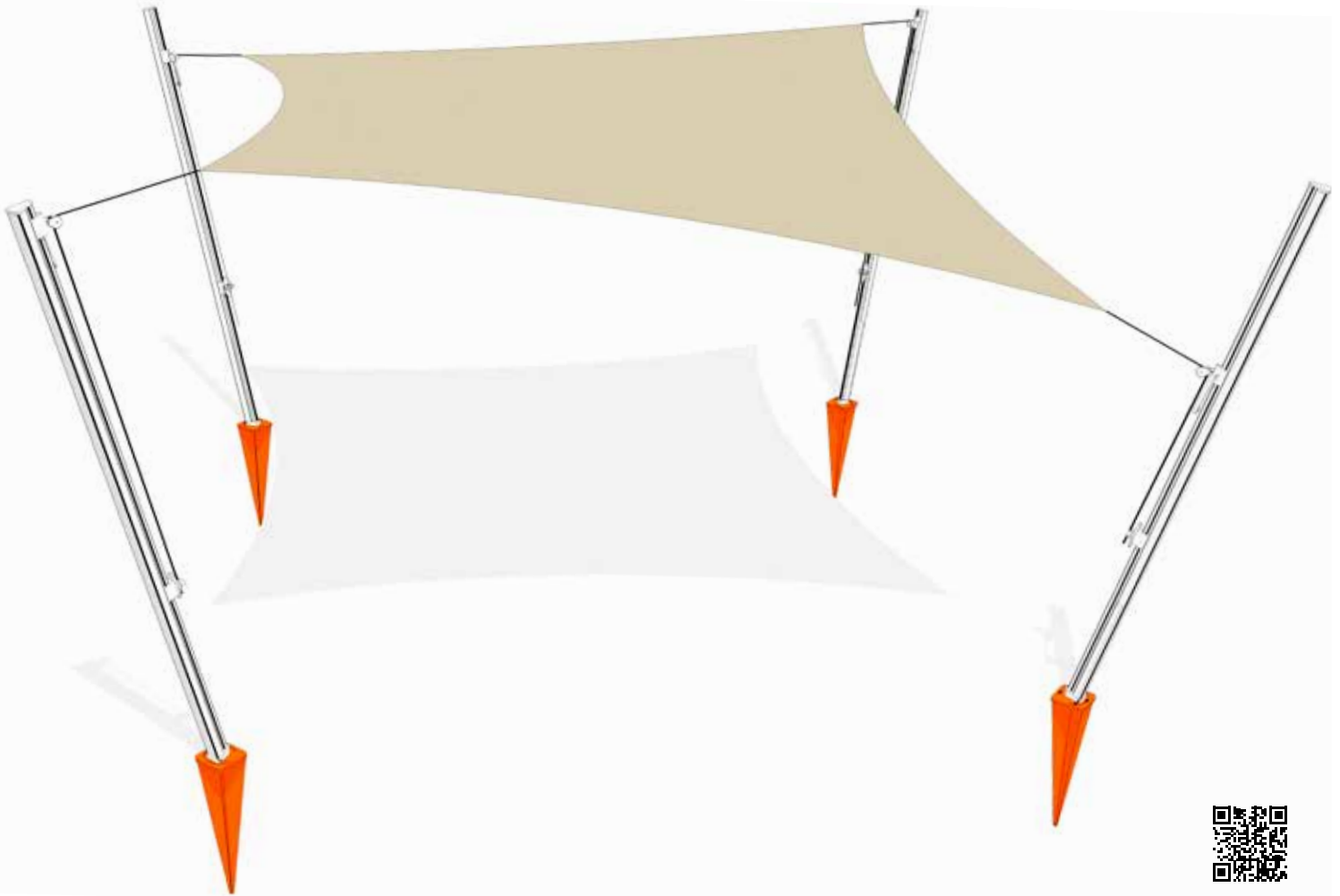
Code	Description	Price
9116ZF0075	75° support with reduced base. Spacer included. Dimension h 600 mm	

CARTER FOR DOUBLE PLATE



Code	Colour	Description	Price
9007VS0000	silver RAL9006		
9007VB0000	white RAL1013	Carter for double plate cod. 9175 and supports cod. 9116 and 9121	
9007VA0000	anthracite		
9007VM0000	bronze		

FLOOR SUPPORTS



Supports counterplate

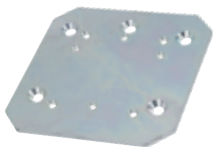
Walling plate

Sand ferrule

90° ground support

75° ground support

SUPPORTS COUNTERPLATE



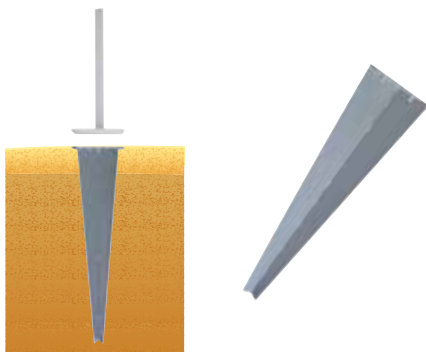
Code	Description	Price
9170ZF2525	zinc-plated steel counterplate for floor support with screws and washers included. Dimension 250x250 mm	

WALLING PLATE



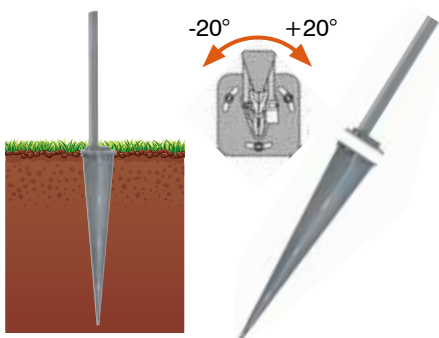
Code	Description	Price
9100AZ0100	Walling plate Dimension 250x250x h 200 N.B. for the plinth dimension, please see technical information page	

FERRULE TO DRIVE INTO THE SAND



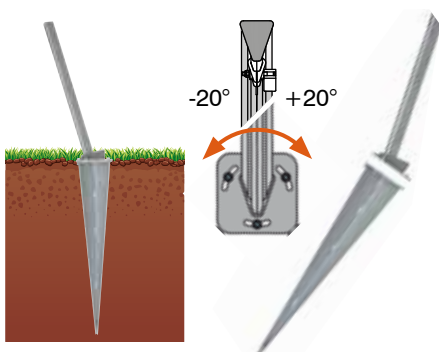
Code	Description	Price
9125VS2525	Ferrule to drive into the sand or into the ground Dimension 800 mm	

GROUND FERRULE + 90° SUPPORT



Code	Description	Price
9120VS0950	Ferrule to drive into the ground with 90° support and spacer Dimension 750 mm NOTE: do not use 3,20 m length poles	

GROUND FERRULE + 75° SUPPORT

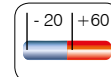


Code	Description	Price
9115VS0950	Ferrule to drive into the ground with 75° support and spacer Dimension 750 mm NOTE: do not use 3,20 m length poles	

TEXTILENE FABRIC SAILS



U.V. FILTER
treatment



Temperature

Textilene fabric is an innovative material of synthetic origin and it is almost indestructible. In fact, the main characteristic of this fiber is the exceptional strength that ensures the most capacity against tearing and usage.

a good application at seashores, seaports and boats.

In addition, the success of Textilene is due to its resistance to temperature fluctuations, UV rays, salt, chlorine, finding

Square sails	Ivory codes	Sand codes	Grey codes	Price
3x3 m	9600TA3030	9600TS3030	9600TE3030	
4x4 m	9600TA4040	9600TS4040	9600TE4040	
5x5 m	9600TA5050	9600TS5050	9600TE5050	
5,5x5,5 m	9600TA5555	9600TS5555	9600TE5555	

Rectangular sails	Ivory codes	Sand codes	Grey codes	Price
3x2 m	9620TA3020	9620TS3020	9620TE3020	
4x3 m	9620TA4030	9620TS4030	9620TE4030	
5x3 m	9620TA5030	9620TS5030	9620TE5030	
5x4 m	9620TA5040	9620TS5040	9620TE5040	
6x3 m	9620TA6030	9620TS6030	9620TE6030	
6x4 m	9620TA6040	9620TS6040	9620TE6040	
6x5 m	9620TA6050	9620TS6050	9620TE6050	

Triangular sails	Ivory codes	Sand codes	Grey codes	Price
	4x4x4 m	9630TA4040	9630TS4040	9630TE4040
	4,5x4,5x4,5 m	9630TA4545	9630TS4545	9630TE4545
	5x5x5 m	9630TA5050	9630TS5050	9630TE5050
	4x5x6,3 m	9630TA4500	9630TS4500	9630TE4500
	4x5x5 m	9630TA4050	9630TS4050	9630TE4050

Available colours:



Ivory - TA



Sand - TS



Grey - TE

On request:



Cream - TM



Yellow - TG



Bordeaux - TO



Light grey - TH



Grey/white - TH2

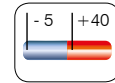
On request and after approval, we can realize customized sizes.

NOTE: for colours on request, please ask for availability.

SUNBRELLA FABRIC SAILS



U.V. FILTER
treatment



Temperature



Waterproof

Sunbrella brand is known throughout the world as leader of acrylic fabrics for outdoor furniture and as best weather resistant fabric.

protects the fabrics against dirt keeping inalterate their perspiration. The fabric is resistant to the action of the Sun, atmospheric agents, mildew and microorganisms.

All Sunbrella fabrics are made of acrylic fiber 100% and treated with special resins, to ensure maximum durability and colour brilliance. The special treatment PERLGARD

Square sails	Ivory codes	Sand codes	Grey codes	Price
3x3 m	9700TA3030	9700TS3030	9700TE3030	
4x4 m	9700TA4040	9700TS4040	9700TE4040	
5x5 m	9700TA5050	9700TS5050	9700TE5050	
5,5x5,5 m	9700TA5555	9700TS5555	9700TE5555	

Rectangular sails	Ivory codes	Sand codes	Grey codes	Price
3x2 m	9720TA3020	9720TS3020	9720TE3020	
4x3 m	9720TA4030	9720TS4030	9720TE4030	
5x3 m	9720TA5030	9720TS5030	9720TE5030	
5x4 m	9720TA5040	9720TS5040	9720TE5040	
6x3 m	9720TA6030	9720TS6030	9720TE6030	
6x4 m	9720TA6040	9720TS6040	9720TE6040	
6x5 m	9720TA6050	9720TS6050	9720TE6050	

Triangular sails	Ivory codes	Sand codes	Grey codes	Price
▲	4x4x4 m	9730TA4040	9730TS4040	9730TE4040
	4,5x4,5x4,5 m	9730TA4545	9730TS4545	9730TE4545
	5x5x5 m	9730TA5050	9730TS5050	9730TE5050
▲	4x5x6,3 m	9730TA4500	9730TS4500	9730TE4500
▲	4x5x5 m	9730TA4050	9730TS4050	9730TE4050

Available colours:



Ivory - TA



Sand - TS



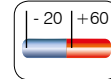
Grey - TE

On request and after approval, we can realize customized sizes.

TENTMESH FABRIC SAILS



U.V. FILTER
treatment



Temperature

Type: high density polyethylene (HDPE) mesh stabilized UV rays.




Features: Tentmesh HDPE fabric doesn't absorb water and doesn't waste away; treated in order to facilitate the processing and minimize shrinkage over time, it doesn't decay and is guaranteed against damage from UV rays. Designed in Australia to deal with torrid climate, Tentmesh can block the

harmful UV rays up to 97 percent, according to Australian standards.

Uses: Tentmesh is a high quality woven shading fabric, designed expressly for tents, awnings and shading sails, especially for applications in commercial buildings.

Square sails	Ivory codes	Sand codes	Price
3x3 m	9500TA3030	9500TS3030	
4x4 m	9500TA4040	9500TS4040	
5x5 m	9500TA5050	9500TS5050	
5,5x5,5 m	9500TA5555	9500TS5555	

Rectangular sails	Ivory codes	Sand codes	Price
3x2 m	9520TA3020	9520TS3020	
4x3 m	9520TA4030	9520TS4030	
5x3 m	9520TA5030	9520TS5030	
5x4 m	9520TA5040	9520TS5040	
6x3 m	9520TA6030	9520TS6030	
6x4 m	9520TA6040	9520TS6040	
6x5 m	9520TA6050	9520TS6050	

Triangular sails	Ivory codes	Sand codes	Price
 4x4x4 m	9530TA4040	9530TS4040	
 4,5x4,5x4,5 m	9530TA4545	9530TS4545	
 5x5x5 m	9530TA5050	9530TS5050	
 4x5x6,3 m	9530TA4500	9530TS4500	
 4x5x5 m	9530TA4050	9530TS4050	

Available colours:



Ivory - TA



Sand - TS

On request:



Yellow - TG



Red - TR



Cayenne - TC



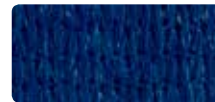
Ochre red - TO



Rivergum green - TF



Brunswick green - TV



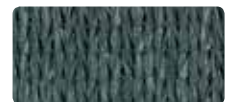
Aquatic blue - TU



Navy blue- TY



Steel grey - TH



Metal - TE



Black - TN

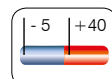
On request and after approval, we can realize customized sizes.

NOTE: for colours on request, please ask for availability.

HDPE FABRIC SAILS



U.V. FILTER
treatment



Temperature

It is a high density polyethylene HDPE stabilized UV rays mesh.

It is the lightest and more economical mesh in our list; in any case its specifications are of a good standard. Up to 70% shading, elasticity of fabric and high mechanical resistance.

Square sails	Ivory codes	Price	Sand codes	Green codes	Price
3x3 m	9400TA3030	€ 180	-	-	
4x4 m	9400TA4040	€ 200	9400TS4040	9400TV4040	
5x5 m	9400TA5050	€ 320	9400TS5050	-	

Rectangular sails	Ivory codes	Price	Sand codes	Green codes	Price
4x3 m	9420TA4030	€ 190	9420TS4030	9420TV4030	
5x4 m	9420TA5040	€ 240	9420TS5040	9420TV5040	

Triangular sails	Ivory codes	Price	Sand codes	Green codes	Price	
	3x3x3 m	9430TA3030	€ 180	-	-	
	4x4x4 m	9430TA4040	€ 210	-	-	
	4,5x4,5x4,5	-	-	9430TS4545	9430TV4545	
	5x5x5 m	9430TA5050	€ 330	-	-	

Available colours:



Ivory - TA



Green - TV



Sand - TS

On request and after approval, we can realize customized sizes.

FITTINGS AND SPARE PARTS

STAINLESS STEEL SNAP HOOK



Code	Description	Price
9180IN0050	Bright stainless steel snap hook	

TENSOR



Code	Description	Price
9160AA0080	Tensor	

HIGH RESISTANCE ROPE



Code	Description	Price
9162AA0000	High resistance rope by meter	

STOPPING ROPE BALL



Code	Description	Price
9163PN0033	Stopping rope ball	

FAST OPENING SNAP HOOK



Code	Description	Price
9185IN0000	stainless steel, fast opening snap hook, to use between clamp and sail	

SHACKLE



Code	Description	Price
9181IN0000	Stainless steel shackle 6mm diameter	

TWISTED SHACKLE



Code	Description	Price
9187IN0000	Stainless steel twisted shackle	

ROPE WITH SNAP HOOK AND BASIC LOCK TENSOR



Code	Description	Price
9160AA0000	1,8m length rope with tensor and snap hook	

COMPLETE CLAMP



Code	Colour	Description	Price
9050NS0080	silver RAL9006		
9050NB0080	white RAL1013	Nylon complete clamp	
9050NA0080	anthracite*		

* unique colour for anthracite and bronze poles

CLAMP WITH STAINLESS STEEL LEVER



Code	Colour	Description	Price
9052NS0080 silver RAL9006		Clamp with stainless steel lever	
9052NB0080 white RAL1013			
9052NA0080 anthracite*			

* unique colour for anthracite and bronze poles

BOLLARD FOR PROFILE/POLE



Code	Colour	Description	Price
9054NS0000 silver RAL9006		Bollard for profile/pole	
9054NB0000 white RAL1013			
9054NA0000 anthracite*			

* unique colour for anthracite and bronze poles

U-BOLT FOR WALL



Code	Descrizione	Price
952IN0000	U-bolt for wall	

U-BOLT



Code	Description	Price
950IN08_04	Round rod U-bolt Ø 9mm, bright stainless steel Dimension 80x50 mm	

COMPOSITE PULLEY



Code	Description	Price
9188IN0000	Composite pulley	

PULLEY WITH ROPE LOCK



Code	Description	Price
9189IN0000	Composite pulley with rope lock	

STAINLESS STEEL PULLEY



Code	Description	Price
9182IN0000	Stainless steel pulley (U-bolt and shackle not included)	

FORCE REDUCTION 3:1 SYSTEM



Code	Description	Price
9184IN0003	Plus Lock system with stainless steel clamps (rope not included)	

WALL CAMCLEAT



Code	Description	Price
9186IN0000	Camcleat for wall systems	

BOLLARD



Code	Description	Price
9183IN0000	Stainless steel bollard	

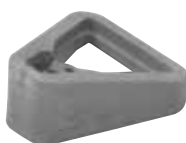
POLYPROPYLENE CAP



Code	Colour	Description	Price
9200PS0000	silver RAL9006	Polypropylene cap	
9200PB0000	white RAL1013		
9200PA0000	anthracite*		

* unique colour for anthracite and bronze poles

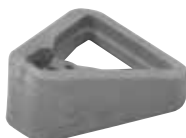
75° SPACER



Code	Colour	Description	Price
9220PS0000	silver RAL9006	75° lower spacer made of nylon	
9220PA0000	anthracite*		

* unique colour for anthracite and bronze poles

80° SPACER



Code	Colour	Description	Price
9230PS0000	silver RAL9006	80° lower spacer made of nylon	
9230PA0000	anthracite*		

* unique colour for anthracite and bronze poles

90° SPACER



Code	Colour	Description	Price
9210PS0000	silver RAL9006	90° lower spacer made of nylon	
9210PA0000	anthracite*		

* unique colour for anthracite and bronze poles

HEXAGONAL KEY



Code	Description	Price
9230AZ0000	Hexagonal key by zinc steel for clamp nut adjustment.	

COUNTERBALANCE



Code	Description	Price
9142VA0000	Counterbalance for 2,80 m poles and supports cod.9076 o 9088 with screws. Weight to load Kg. 225. Dimension 1150 x 400 mm	

TECHNICAL INFORMATION

MT 2.80 POLE

For the floor fixing of the poles it is possible to use:

- high performance chemical fixing with minimum M12 threaded bar (minimum 1100 kg traction load for each hole)
- Heavy security fixing (steel dowels) minimum M12 (minimum 1100 kg traction load for each hole)

The dimensions of the eventual plinth for the poles code 9000 lenght 280 cm is: cm 80x80x 45 cm depth.

For further informations please consult or request the item technical sheets.

MT 3.20 POLE

For the floor fixing of the poles it is possible to use:

- High performance chemical fixing with minimum M12 threaded bar (minimum 1300 kg traction load for each hole)
- Heavy security fixing (steel dowels) minimum M12 (minimum 1300 kg traction load for each hole)

For further informations please consult or request the item technical sheets.

The dimensions of the eventual plinth for the poles code 9000 lenght 320 cm is: cm 100X100X40 cm depth.

Note: the 75° floor supports code 9076 and 90° floor supports code 9088 cannot be used with poles by high resistance code 9000 lenght 320 cm.

Other codes that cannot be used with pole by high resistance code 9000 lenght 320 cm are:

code 9170 counterplate, code 9175 double plate, code 9121 and code 9116 supports for double plate, code 9115 and code 9120 ground support, code 9142 counterbalance.

PARAPET FIXING SYSTEMS

The stirrups code 9105 allow to outdistance the pole at 90° from the wall (or other surface) from 70 mm to 95 mm.

It is also possible to incline the profile of 2° to correct any surface imperfection.

The counterplate code 9107 allows the fixing to existing structures acting as a clamp.

The turning stirrups cover an angle of 140°, and always to be aligned to the sails diagonals or bisectors.

Note: the upper stirrup must be positioned at a distance of not less than 60 cm from the ground.

SUNWORKER FABRIC SAILS

Only on request and after approval

Sunworker fabric is a modern product, it makes a high performance thermal barrier.

The main feature is seeing without being seen, it protects the intimacy while providing a complete outward visibility. The micro aerated structure creates an authentic thermal filter and blocks up to 92% of the heat produced from solar radiation.

The fabric is made of high-tenacity polyester.

The special weaving method ensures an incomparable structural strength.

Thanks to special coating with mass dyeing, the colors remain unaltered in time.

Sunworker fabric is suitable for any application, including bars, restaurants and hotels.



Ivory - TA



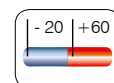
Sand - TS



Grey - TE



U.V. FILTER
treatment

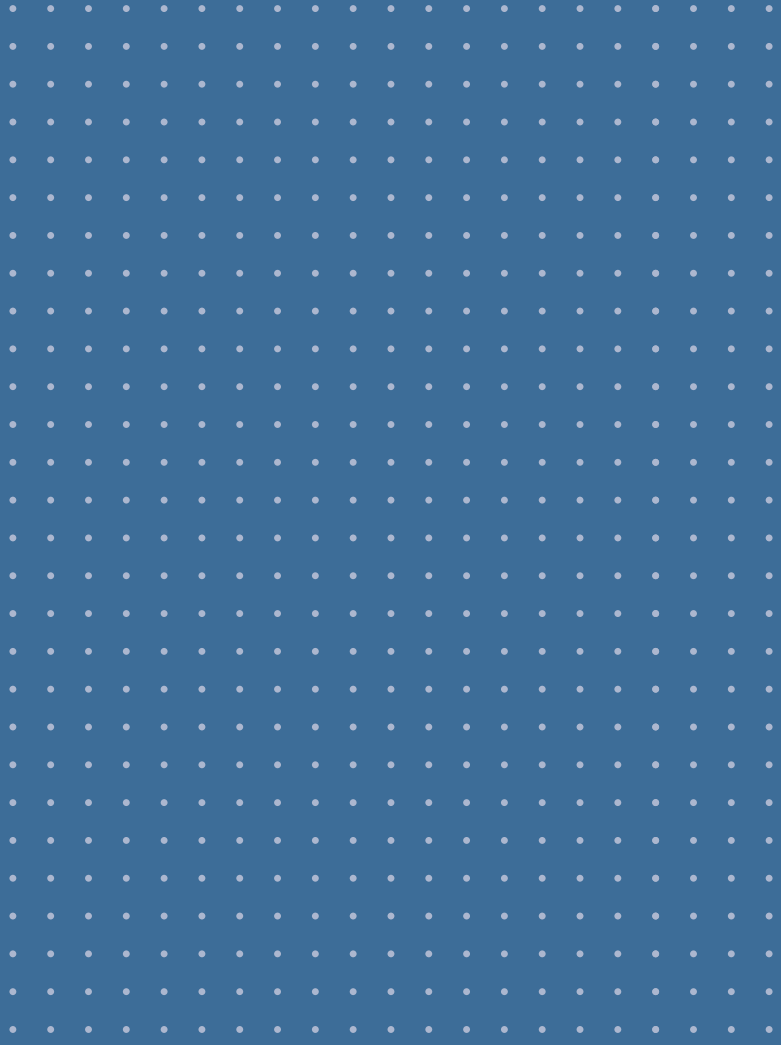


Temperature



Waterproof

Only for CRISTAL
model



it's a brand by **Aldeghi Luigi S.p.A.**



Aldeghi Luigi S.p.A.
Production and distribution
of articles for building
and interior decoration

Head office: 23900 Lecco (LC) - ITALY - C.so Bergamo, 40

Factories:

20872 Cornate d'Adda (MB) - ITALY - Via Matteotti, 66
Tel. +39 039 692181 - Fax +39 039 6929562

23900 Lecco (LC) - ITALY - C.so Bergamo, 40
e-mail: info@aldeghi.com - www.aldeghi.com

www.aldeghigarden.com - www.aldeghigiardino.com